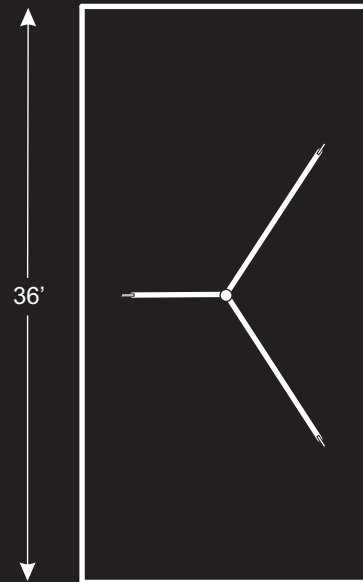
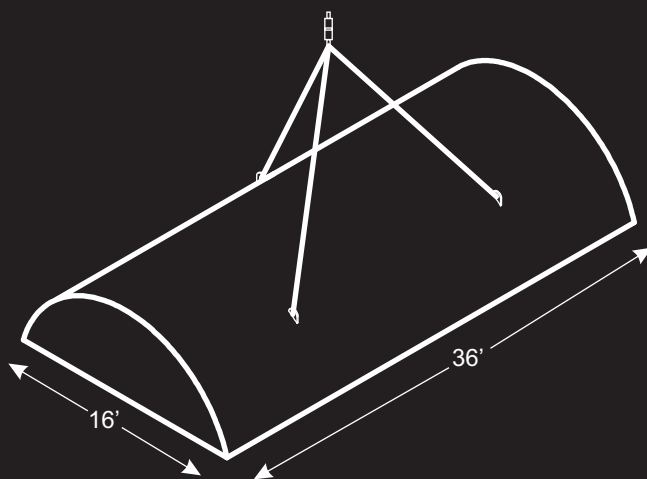
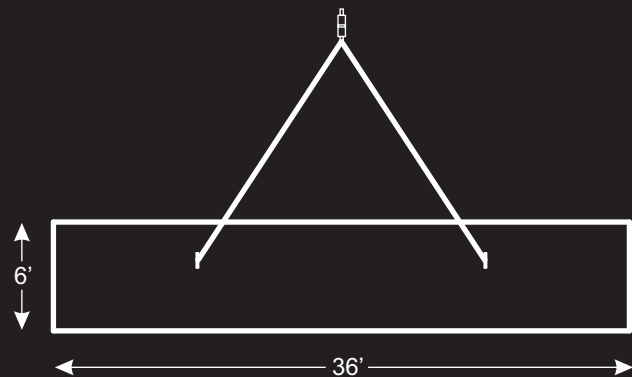
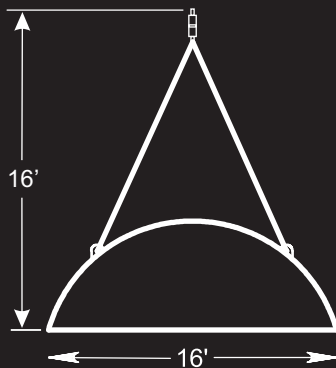


CLAM LIGHT



16' to top of swivel.
(This is the absolute
minimum dimension)



LIGHT SPECIFICATIONS

Certified for indoor or outdoor locations

32 - 1500 Watt FGT Bulbs

Material use - one piece seamless muslin plus two removable inner layers of silk

Light measurements - 16' wide X 36' long X 6' High

Current Draw- 450 amp. @ 150 per leg

Power Input - 120 - 208 - 3Phase

Input connectors to our switching panel - Camlock type "E" series

Lamp Weight - 2900 lbs. - including, rigging and three 50' chain motors

Customer must supply a rated point in the ceiling capable of holding the weight of the light and hardware or use a studio large enough for a mobile crane.

Note: Call for more details if optional dimming or lamp chasing is required

Fast setup - Approximately four hours of uninterrupted time

DWIGHT CRANE