

LRX™ Rotator-II

1



Check on line for the latest updates at www.lrx-lighting.com
SPECIFICATIONS SUBJECT TO CHANGE WITHOUT NOTICE

1

LRX™ Rotator-II

2



WARNING

READ EQUIPMENT MANUFACTURES
MANUAL BEFORE USING THIS PRODUCT

SAFETY INSTRUCTIONS

- User must be authorized, qualified and certified in jurisdiction of use.
- It is the user's responsibility and obligation to determine and comply with all applicable laws and regulations.
- Do not operate if unit or controller appears damaged.
- Always use approved safety cables secured to a point capable of supporting the total weight of the load.
- Rotator weight: 621 pounds
- Maximum load capacity is 5,600pounds, evenly distributed with a maximum point load of 1,400 pounds.
- Load limit is not to be exceeded.
- Prior to operation a daily inspection and log are required.
- In case of malfunction disconnect all power supplies, discontinue use, notify supplier.
- Area under fixture must be cordoned off at all times and kept clear of all personnel.
- Do not connect or disconnect under load.
- Ensure power supply is off when connecting to controller.
- Never operate with any covers removed.
- No personal within range of motion of the rotator during operation.
- Observe pinch points.
- Safe electrical and working practices must be observed.
- If using a power trolley with this fixture please refer to "LRX Power Trolley" manual. The installation, operation and servicing of rotator to be carried out by only authorized and qualified personnel certified in jurisdiction of use.
- Must be used with supplied KBMD DC Motor Speed Controller.
- No user serviceable parts.
- Unsure about anything or if you have questions, stop and contact LRX LLC service representative before use.
- For the latest version of this manual please visit "lrx-lighting.com"

Check on line for the latest updates at www.lrx-lighting.com
SPECIFICATIONS SUBJECT TO CHANGE WITHOUT NOTICE

2

LRX™ Rotator-II



DANGER


- Dangerous voltages are present when power is supplied to the unit.
- Disconnect all power supplies before installation or removal of unit.
- Ensure all power supplies are off when connecting or disconnecting any cabling.
- Power must be removed when not in use and when data signal is removed.
- Ensure unit meets all local codes prior to operation.
- Safety power lockout procedures must be followed.
- Safe electrical and working practices must be observed.



WARNING

- This unit has rotating parts with pinch points.
- Unit may move without warning.
- No personal within range of motion
- Never operate with any covers missing.

HANDLING & INSTALLATION OF ROTATOR

- 
- Heavy lift, the weight is approximately 621 pounds.
- Handling unit creates a number of potential pinch points.
- If there are any concerns regarding handling please contact your supervisor
- Installation must be designed and approved to safely carry all anticipated loads and must be mounted to a structure capable of supporting the total load being applied.
- Maximum load capacity is 5,600pounds, evenly distributed with a maximum point load of 1,400 pounds.
- It is the user's responsibility and obligation to determine and comply with all applicable laws and regulations.
- The installation, operation and servicing of this unit to be carried out by only authorized and qualified personnel.
- If there are any concerns please contact your supervisor.

Check on line for the latest updates at www.lrx-lighting.com
SPECIFICATIONS SUBJECT TO CHANGE WITHOUT NOTICE

LRX™ Rotator-II

LRX ROTATOR SPECIFICATIONS

KBMD DC Motor Speed Controller:

- Volts – 120 VAC
- Hertz – 50 - 60
- Amps – 8.0

Physical:

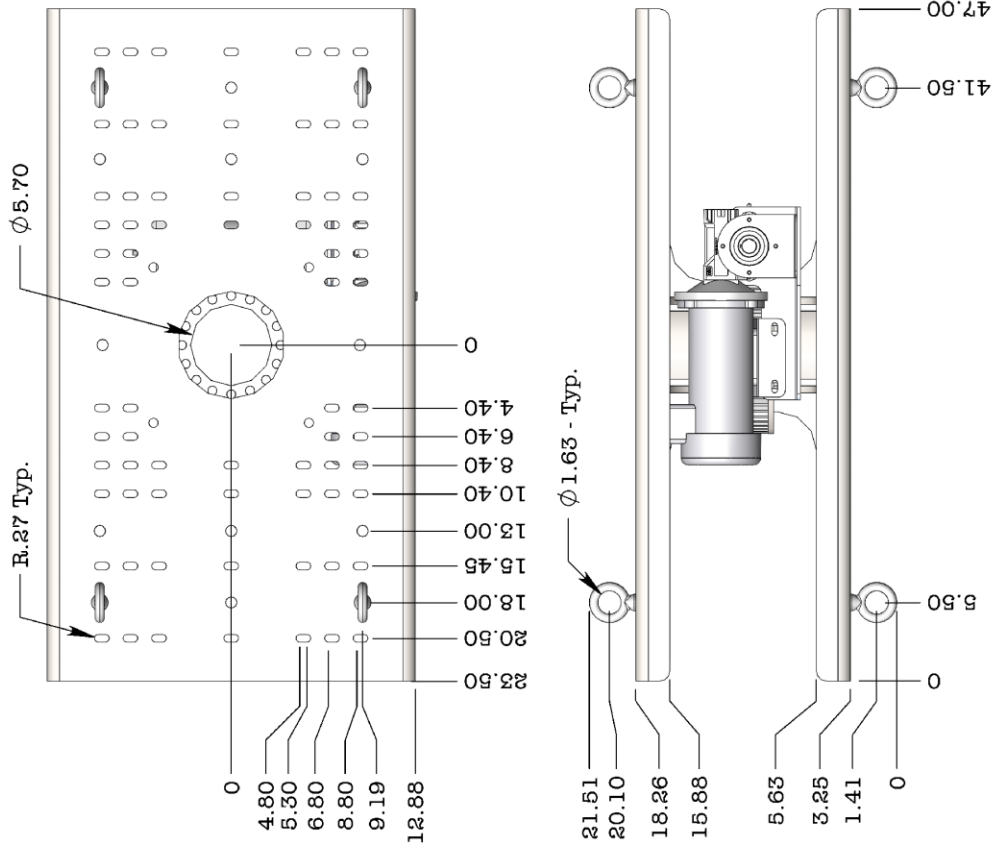
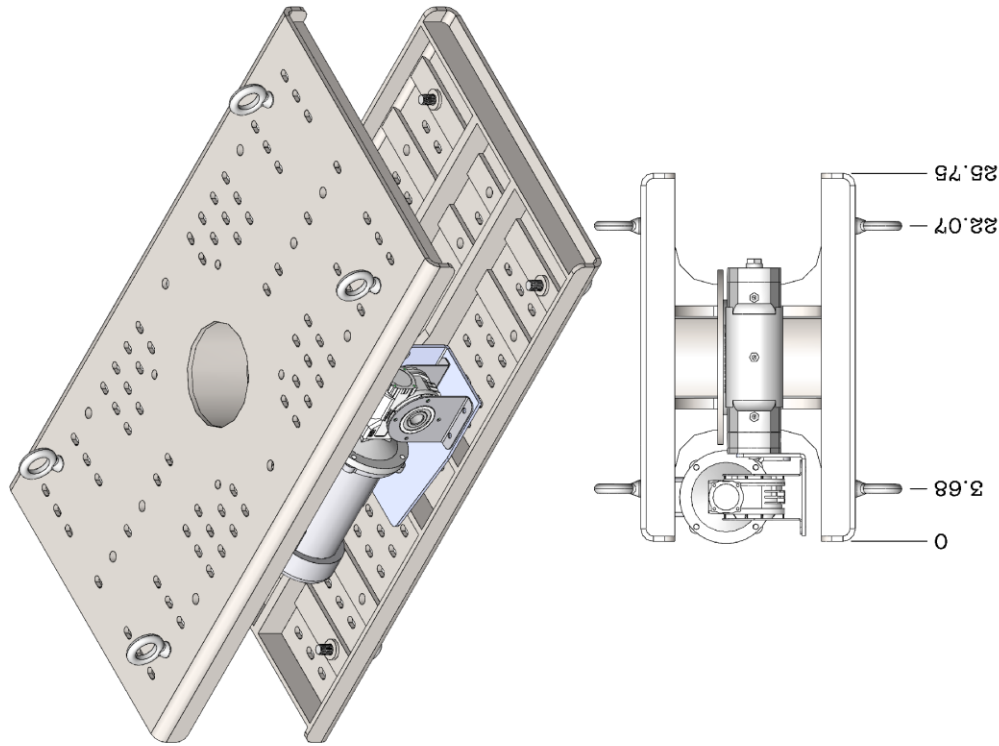
- Weight - 621 pounds
- Maximum load capacity is 5,600 pounds, evenly distributed, with a maximum point load of 1,400 pounds.
- Maximum RPM: 0.8 approximate

TROUBLE SHOOTING GUIDE

ROTATOR-II DOESN'T RESPOND

- Check all cable and connections for damage and signs of moisture.
- Ensure power indicator is lit and power is being supplied by a non-dimmed line.
- Test with second controller if available.
- If problem persists refer for service.

LRX™ Rotator-II



Maximum Capacity 5,600 pounds evenly distributed
 Maximum point load 1,400 pounds

Check on line for the latest updates at www.lrx-lighting.com
 SPECIFICATIONS SUBJECT TO CHANGE WITHOUT NOTICE