

LRX™ TROLLEY

1



Check on line for the latest updates at www.lrx-lighting.com
SPECIFICATIONS SUBJECT TO CHANGE WITHOUT NOTICE

1

LRX™ TROLLEY

2



WARNING

READ EQUIPMENT MANUFACTURERS
MANUAL BEFORE USING THIS PRODUCT

SAFETY INSTRUCTIONS

- User must be authorized, qualified and certified in jurisdiction of use.
- It is the user's responsibility and obligation to determine and comply with all applicable laws and regulations.
- Ensure trolley meets all local codes prior to operation.
- Do not operate if unit appears damaged.
- Always use approved safety cables secured to a point capable of supporting the total weight of the load.
- Trolley weight: 90 pounds
- Maximum load capacity is 1,000 pounds, evenly distributed.
- Load limit is not to be exceeded.
- Prior to operation a daily inspection and log are required.
- In case of malfunction disconnect all power supplies, discontinue use, notify supplier.
- Area under trolley must be cordoned off at all times and kept clear of all personnel.
- Do not connect or disconnect under load.
- Ensure power supply is off when connecting to fixture or DMX controller.
- Never operate with any covers removed.
- No personal within range of motion of the rotator during operation.
- Observe pinch points.
- Power trolleys must have positive mechanical stops at the end of beams.
- Safe electrical and working practices must be observed.
- No user serviceable parts.
- Unsure about anything or if you have questions, stop and contact LRX LLC service representative before use.
- For the latest version of this manual please visit "lrx-lighting.com"

Check on line for the latest updates at www.lrx-lighting.com
SPECIFICATIONS SUBJECT TO CHANGE WITHOUT NOTICE

2

LRX™ TROLLEY



DANGER

- Dangerous voltages are present when power is supplied to the unit.
- Disconnect all power supplies before installation or removal of unit.
- Ensure all power supplies are off when connecting or disconnecting any cabling.
- Power must be removed when not in use and when data signal is removed.
- Ensure unit meets all local codes prior to operation.
- Safety power lockout procedures must be followed.
- Safe electrical and working practices must be observed.



WARNING

- This unit has rotating parts with pinch points.
- Unit may move without warning.
- No personal within range of motion
- Never operate with any covers missing.

TROLLEY ADDRESSING

- Trolley receives it is power & addressing from the LRX fixture or the LRX DMX Controller
- The fixture or DMX controller can be programmed to operate in DMX mode or FIXTURE mode (for use with the hand controller). Because each LRX fixture requires sixteen DMX channels for operation, FIXTURE mode is merely a convenient way of skipping DMX channels in 16 channel increments, beginning with DMX channel #001. Additionally, fixture mode provides power to a connected hand controller, which is also designed to work in 16 channel increments.
- **IMPORTANT:** When the LRX fixture or DMX controller is in FIXTURE mode, pins 4 & 5 on the DMX IN connector become energized to 12VDC to supply power to the hand controller.
- No power is supplied to pins 4 & 5 when in DMX mode. Ensure that fixture is in the correct mode prior to connecting DMX lines. Always connect the hand controller to the fixture with the power off. Damage could result if attempting to connect the hand controller to the LRX while the power is on.

Check on line for the latest updates at www.lrx-lighting.com
SPECIFICATIONS SUBJECT TO CHANGE WITHOUT NOTICE

LRX™ TROLLEY

- The mode (square icon) on the left is used to toggle between DMX mode and FIXTURE mode. FIXTURE mode is designated by a capital 'F' in the left-most digit, with the remaining two digits indicating the fixture number. E.g. F01=fixture#1, etc. DMX mode is shown as a three digit number from 001 to 512. Once the mode is selected the fixture number or DMX address can be increased or decreased using the up/down arrows on right side of the switch assembly. When the correct FIXTURE/address has been selected, the store (round icon) button second from the left is pressed and held (until the display stops flashing) to store that address. It is important to note that the LRX fixture will not begin responding to a newly selected FIXTURE/DMX address until it has been stored by pressing and holding the store (round icon) button. If the display is flashing, this is a warning that the displayed FIXTURE/DMX address does not match the address that fixture is currently responding to. Saving the displayed address tells the fixture to begin listening and responding to the new address. If the address is not stored within five seconds it will return to the previous setting.
- The LRX fixture always writes the last saved address and mode to non-volatile memory, such that in the event of a power interruption, the fixture will power up with the mode and address it was using before the power interrupt.
- Pressing and holding the mode button will provide access to the hour meter. Once in hour meter mode, press the up icon to display bulb hours, it will be indicated as a scrolling number. It will show as a blank digit followed by three digits then a decimal place and two more digits (i.e. _120.59).
- The bulb hours can be reset by pressing and holding the store button until the meter zeros, about five seconds.
- To display fixture hours, press the down icon. Fixture hours will be displayed as a scrolling number with an "F" prefix. This can't be reset by the user.

DMX CHANNEL ALLOCATION

When using the LRX with a lighting console or other device that offers discrete control over the DMX channels, they are used by the fixture as follows:

Where N= base channel of fixture. [LRX DMX address shown on display]:

N + (0-9) = motor control (depends on MODE)

N+10 = GEL fan ON/OFF (OFF<127<=ON)

N+11 = lamp control (unimplemented)

N+12 = motor control MODE: N+12<127 = BUMP MODE
 N+12>=127 = FADER MODE

N+13 = reserved (future use)

N+14 = reserved (future use)

N+15 = reserved (future use)

If (MODE = BUMP): (n+12<128)

- (N+0 > 127) = pan left
- (N+1 > 127) = pan right
- (N+2 > 127) = tilt up
- (N+3 > 127) = tilt down
- (N+4 > 127) = spot
- (N+5 > 127) = flood
- (N+6 > 127) = trolley left
- (N+7 > 127) = trolley right
- (N + 8, 9) = reserved (future use)

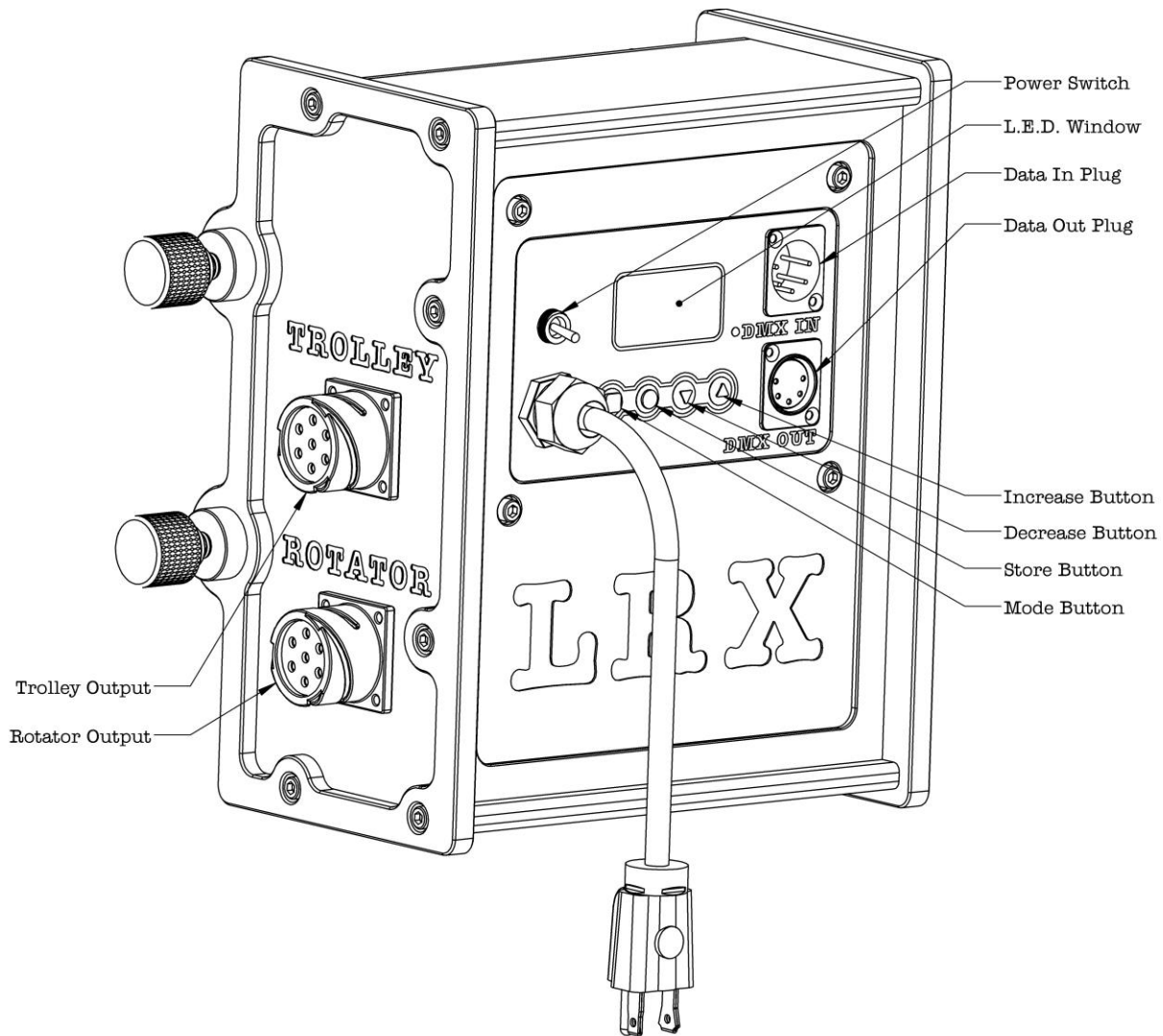
If (MODE=FADER): (n+12>=128)

- (N+0 < 64) = pan left
- (N+0 > 127) = pan right
- (N+1 < 64) = tilt up
- (N+1 > 127) = tilt down
- (N+2 < 64) = spot
- (N+2 > 127) = flood
- (N+3 < 64) = trolley left
- (N+3 > 127) = trolley right
- (N+4 thru 9) = reserved (future use); each motor above is stopped when the fader is in the middle of its range (DMX value 64-127)

LRX™ TROLLEY



LRX DMX CONTROLLER



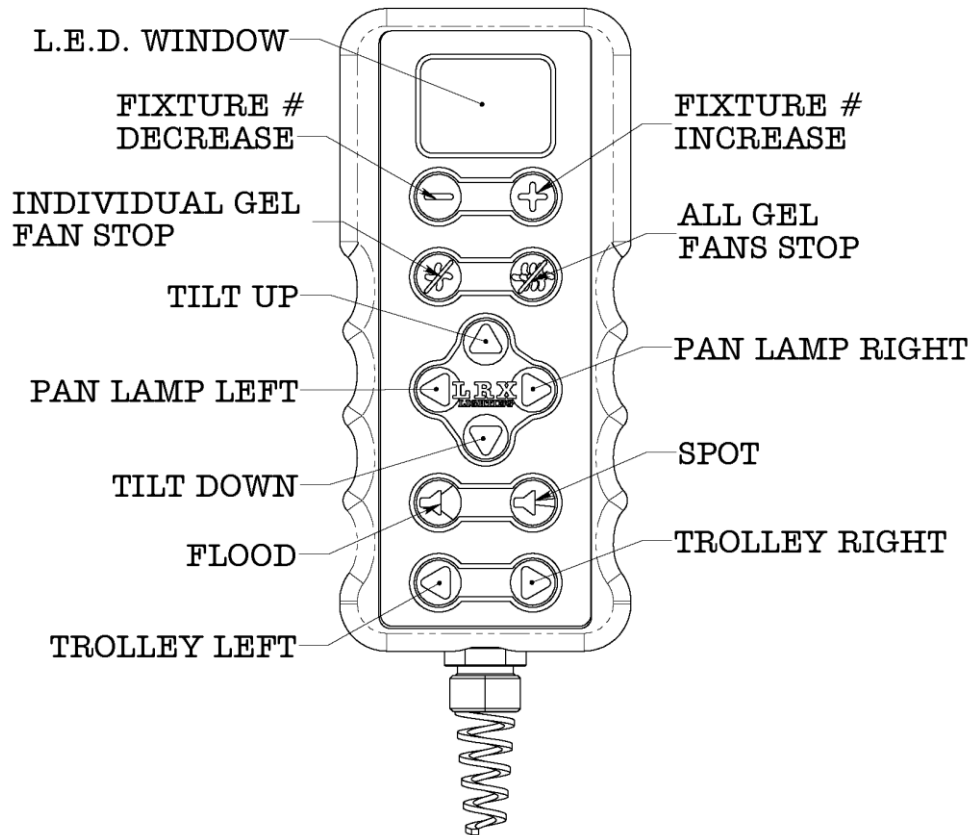
Check on line for the latest updates at www.lrx-lighting.com
SPECIFICATIONS SUBJECT TO CHANGE WITHOUT NOTICE

LRX™ TROLLEY

HAND CONTROLLER

The hand controller will allow fixture selection,(up to 32 fixtures), control of tilt - up/down, pan - left/right and flood/spot functions and will also shut off individual gel cooling fans or all gel cooling fans connected to that controller.

All switches act as momentary type with the exception of the individual gel fan switch which will stop the gel fan indefinitely for the fixture indicated on the display, this will cause the LED display to flash when that fixture number is shown, and when that fixture number is not shown the display will show the decimal places to indicate that a fixture not shown has the gel fan turned off.



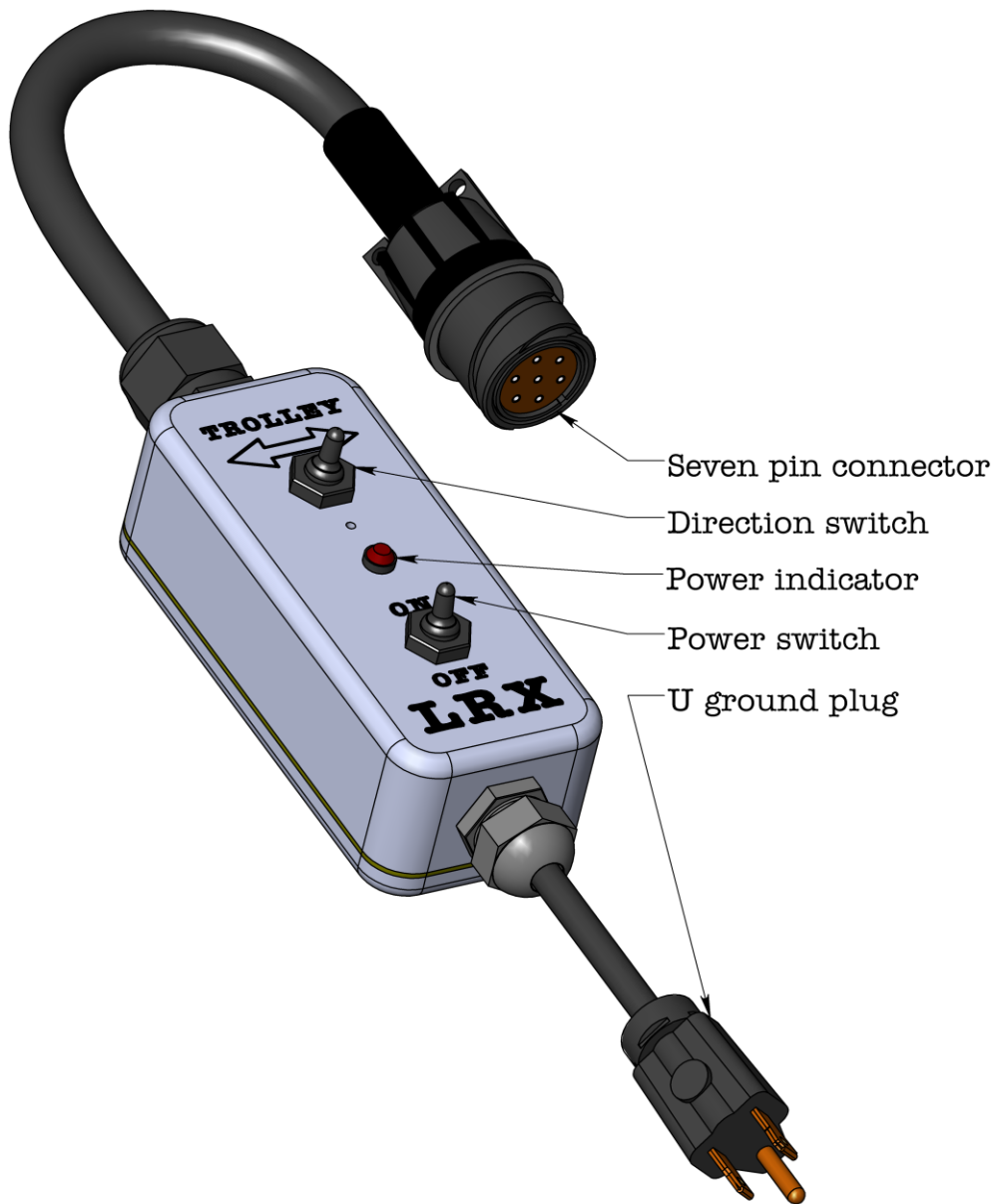
Check on line for the latest updates at www.lrx-lighting.com
SPECIFICATIONS SUBJECT TO CHANGE WITHOUT NOTICE

LRX™ TROLLEY

HARD WIRED HAND CONTROLLER



The hardwired hand controller uses a momentary type switch to provide trolley travel left and right as well as an on/off switch to interrupt power to the trolley



Check on line for the latest updates at www.lrx-lighting.com
SPECIFICATIONS SUBJECT TO CHANGE WITHOUT NOTICE

LRX™ TROLLEY

HANDLING/INSTALLATION OF THE TROLLEY



- Heavy lift, minimum two persons, the weight is approximately 90 pounds.
- Hanging of the trolley creates a number of potential pinch points.
- Use trolley lifting handles provided.
- If there are any concerns regarding handling please contact your supervisor.
- It is the user's responsibility and obligation to determine and comply with all applicable laws and regulations.
- The installation, operation and servicing of this unit to be carried out by only authorized and qualified personnel.
- Trolley I-beam (by others); must be designed and approved to safely carry all anticipated loads and must be mounted to a structure capable of supporting the total load being applied.
- The I-beam must remain level at all times.

LRX TROLLEY SPECIFICATIONS

Control power: Volts – 120/240 VAC
 Hertz – 50 - 60
 Amps – 2.0

Physical:

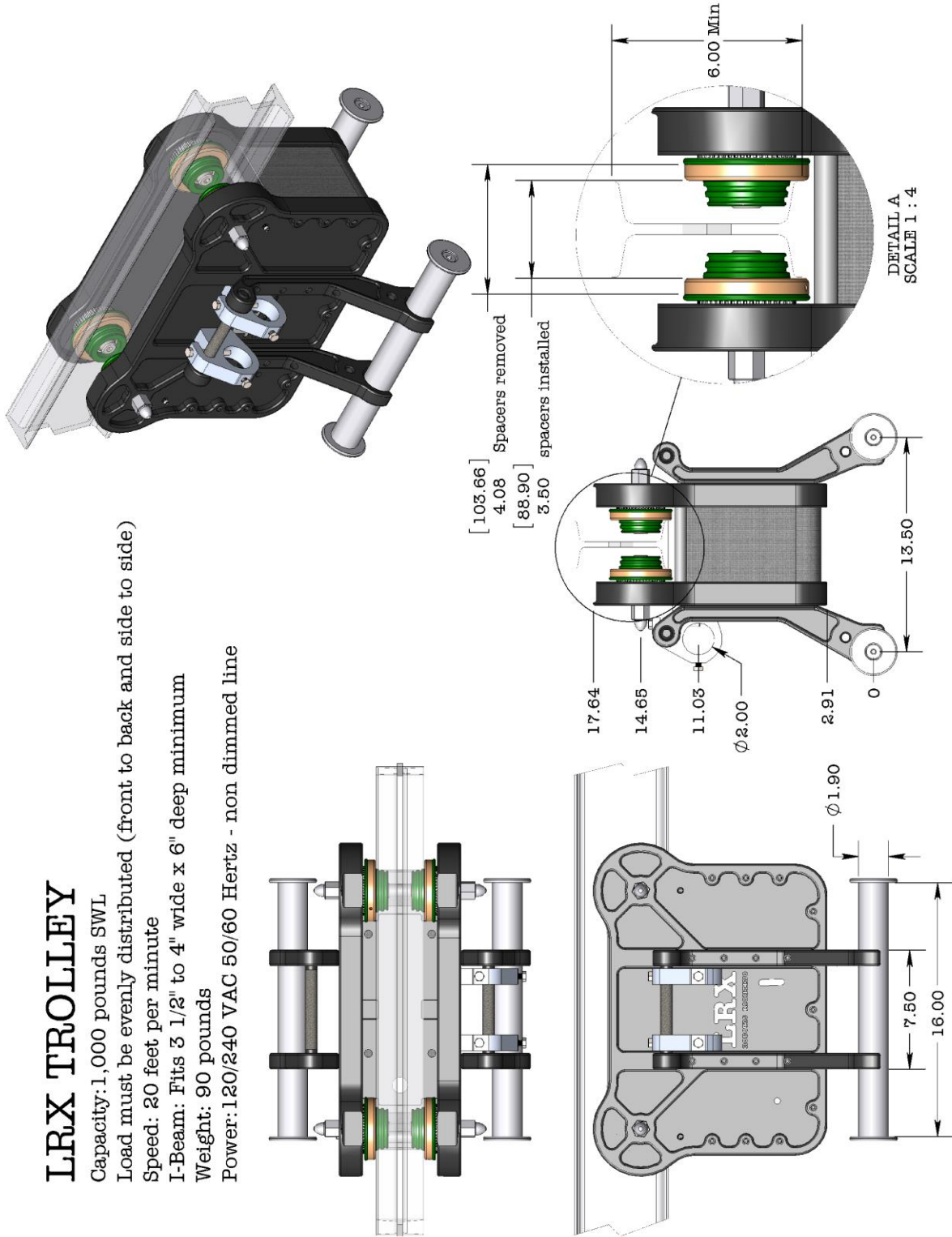
- Weight - 90 pounds
- Capacity: 1,000 pounds
- I beam: 3.5" to 4.0" width
 6.0" high minimum
- Two travel speeds are available: 20 & 40 feet per minute.

Check on line for the latest updates at www.lrx-lighting.com
SPECIFICATIONS SUBJECT TO CHANGE WITHOUT NOTICE

LRX™ TROLLEY

LRX TROLLEY

- Capacity: 1,000 pounds SWL
- Load must be evenly distributed (front to back and side to side)
- Speed: 20 feet per minute
- I-Beam: Fits 3 1/2" to 4" wide x 6" deep minimum
- Weight: 90 pounds
- Power: 120/240 VAC 50/60 Hertz - non dimmed line



SPECIFICATIONS SUBJECT TO CHANGE WITHOUT NOTICE

TROUBLE SHOOTING GUIDE

TROLLEY DOESN'T RESPOND

- If trolley does not respond when connected to an LRX fixture or DMX controller, remove the seven pin trolley connector from fixture and test with LRX hardwired trolley hand controller.
- If trolley now works from hardwired Trolley controller, the problem will be in the fixture, hand controller or the data from board.
- If using an LRX fixture hand controller, switch to another controller and see if problem remains.
- Plug LRX fixture controller directly into the fixture without any extension cables and test.
- If problem persists refer for service.