

LRX™ FLY SWATTER

1

LRX Fly Swatter is intended use as an attachment for telescopic fork lifts to provide two rotational axis of motion, (tilt and pan) of a light diffusion frame. A light weight truss type structure designed and supplied by the end user can be attached to the axle output shaft flanges. These flanges are designed to mate with sixteen inch box truss with end flanges that have a four bolt mounting pattern with a bolt circle between 14.62" to 16.22" and a bolt diameter of 0.75". A fabric covering can then be installed on to the structure.



See notes for use, limitations and installation to telehandler



Check on line for the latest updates at www.lrx-lighting.com
SPECIFICATIONS SUBJECT TO CHANGE WITHOUT NOTICE

1

LRX™ FLY SWATTER

2



WARNING

READ EQUIPMENT MANUFACTURERS
MANUAL BEFORE USING THIS PRODUCT

SAFETY INSTRUCTIONS

- Fly Swatter weight: 1382 pounds.
- Fly Swatter maximum load capacity evenly distributed:
 - 12' x 12' = 500 lbs. of truss structure + (5.8psf) 835 lbs. of wind loading (47MPH / 75KPH)
 - 20' x 20' = 500 lbs. of truss structure + (1.25psf) 500 lbs. of wind loading (22MPH / 35KPH)
 - 30' x 20' = 500 lbs. of truss structure + (.558psf) 335 lbs. of wind loading (14.8MPH / 24KPH)
 - 30' x 30' = 500 lbs. of truss structure + (.372psf) 335 lbs. of wind loading (12MPH / 19KPH) (See attached graph for reference).
- Wind load formulas:
 - $PSF = MPH^2 \times .00256$
 - $P (Pa) = KPH^2 \times 0.317$
- 1 MPH = 1.61 KPH
- User must be authorized, qualified and certified in jurisdiction of use.
- It is the user's responsibility and obligation to determine and comply with all applicable laws and regulations.
- Truss structure by others; to be designed and approved to safely carry anticipated loads.
- Fly Swatter, truss structure & wind loading calculations are the responsibility of the user
- Ensure telehandler is capable of supporting the total load: Fly swatter, truss structure and the wind load being applied.
- Telehandler side loading: Maximum 3% of capacity chart or less if limited by the telehandler OEM's specs and instructions.
- Follow all telehandler manufactures guide lines and operating procedures.

Check on line for the latest updates at www.lrx-lighting.com
SPECIFICATIONS SUBJECT TO CHANGE WITHOUT NOTICE

2

LRX™ FLY SWATTER

- It is the user's responsibility and obligation to determine and comply with all applicable laws and regulations.
- Operator must stay with unit when in operation.
- Load limits not to be exceeded.
- It is recommended to develop a truss recovery procedure with the telehandler to set a position with minimum sail area. To be used in case of inclement weather or sudden gusts of wind to prevent excessive uplifting/downward force or full sail area side loading scenarios.
- It is recommended that a means to partially release the fabric be used to relieve wind pressure on the structure in the event of unexpected wind gusts.
- Observe pinch points.
- No personal within range of motion of the assembly during operation.
- Servicing of this unit to be carried out by only authorized and qualified personnel.
- Do not operate if unit appears damaged.
- Report damage immediately.
- Disconnect all power supplies before servicing to avoid electric shock.
- Do not connect or disconnect under load.
- Ensure power supply is off when making power supply and data connections.
- In case of malfunction disconnect power supplies, discontinue use, notify supplier.
- Prior to operation a daily inspection and log are required.
- Area under load must be cordoned off at all times and kept clear of all personnel.
- Never operate with any covers removed.
- Safe electrical and working practices must be observed.
- No user serviceable parts.
- Unsure about anything or if you have questions, stop and contact LRX LLC service representative before use.
- For the latest version of this manual please visit "lrx-lighting.com"

LRX™ FLY SWATTER



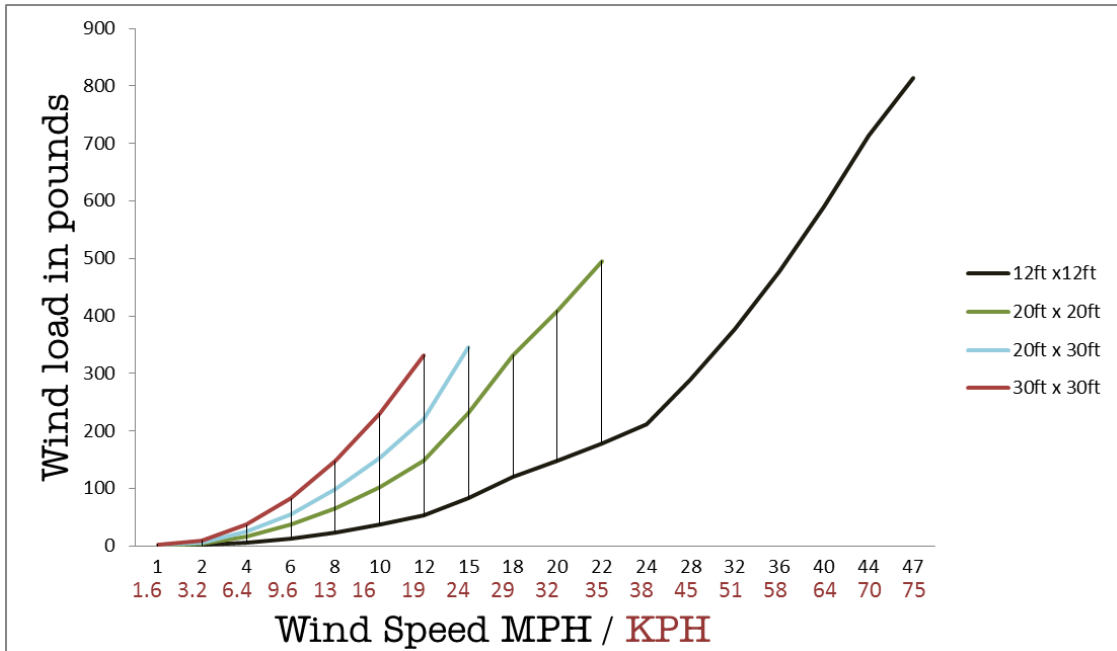
DANGER

- Dangerous voltages are present.
- Disconnect all power supplies before installation or removal of unit.
- Ensure all power supplies are off when connecting or disconnecting any cabling.
- Power must be removed when not in use and when data signal is removed.
- Ensure unit meets all local codes prior to operation.
- Safety power lockout procedures must be followed.
- Safe electrical and working practices must be observed.



WARNING

- This unit has rotating parts with pinch points.
- Unit may move without warning.
- No personal within range of motion
- Never operate with any covers missing.



Check on line for the latest updates at www.lrx-lighting.com
 SPECIFICATIONS SUBJECT TO CHANGE WITHOUT NOTICE

LRX™ FLY SWATTER

5

FLY SWATTER SPECIFICATIONS

Electrical rating:

Battery:

- 48VDC with 120VAC charger
- Battery charger requires 120 VAC @ 2 amps

Camlock connector:

- Volts: 208 - 240 AC – non-dimmed feed line.
- Hertz: 50 - 60
- Amps: 20.0

Physical:

- Tilt: continuous (only limited by attached structure)
- Pan: continuous (only limited by attached structure)
- Weight: 1382 pounds
- Dimensions: 48" x 33.61" x 56.42"
- Fly Swatter maximum load:
- 12' x 12' = 500 lbs. of truss structure + 835 lbs. of wind loading (47MPH / 75KPH)
- 20' x 20' = 500 lbs. of truss structure + 500 lbs. of wind loading (22MPH / 35KPH)
- 30' x 20' = 500 lbs. of truss structure + 335 lbs. of wind loading (14.8MPH / 24KPH)
- 30' x 30' = 500 lbs. of truss structure + 335 lbs. of wind loading (12MPH / 19KPH)
- Wind load formulas:
- $PSF = MPH^2 \times .00256$
- $P (Pa) = KPH^2 \times 0.317$
- 1 MPH = 1.61 KPH

Check on line for the latest updates at www.lrx-lighting.com
SPECIFICATIONS SUBJECT TO CHANGE WITHOUT NOTICE

5

LRX™ FLY SWATTER

6

Installation of Fly Swatter to Telehandler

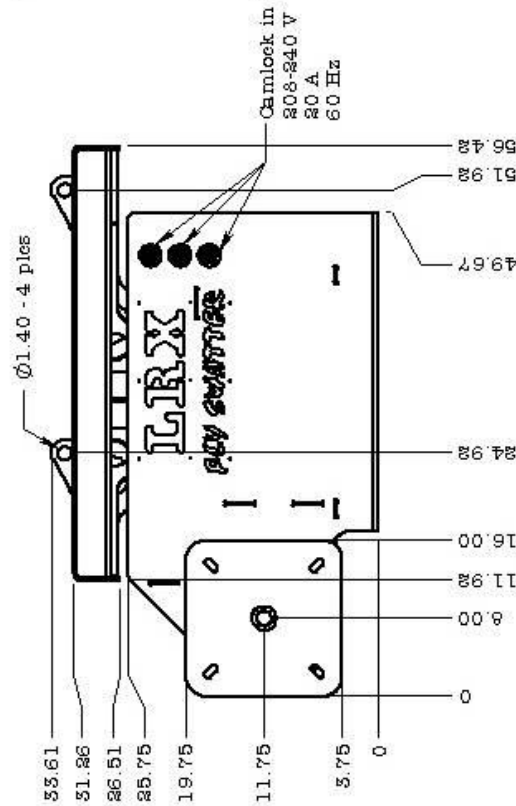
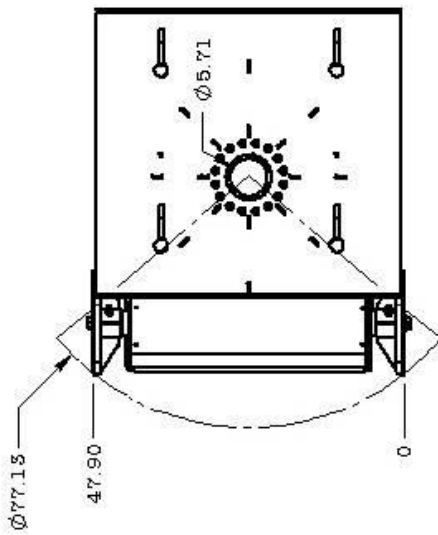
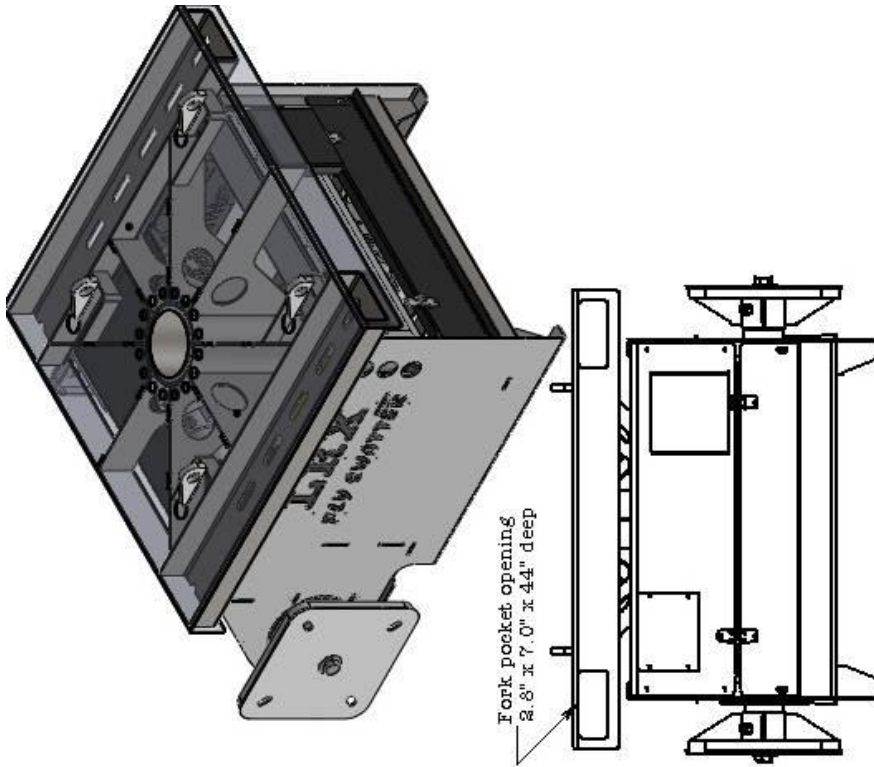
- Ensure forks are fully inserted
 - Install using two independent 3/8" grade 80 chains, ten feet long.
 - One chain attached at two different points on the same side of the Fly Swatter using 1.5 ton shackles, chain must be routed so that the forks are locked to the fork carriage; remove additional slack and lock into place using the ratcheting type 3/8" chain binder, repeat for other side.
 - Shackle pins must be wired shut so that pin is unable to turn out.
 - See illustration below
-
- Parts required:
 - Qty four - 1.5 ton shackles (7/16")
 - Qty two - 10 foot x 3/8" grade 80 chain
 - Qty two - 3/8" ratcheting type load binder



Check on line for the latest updates at www.lrx-lighting.com
SPECIFICATIONS SUBJECT TO CHANGE WITHOUT NOTICE

6

LRX™ FLY SWATTER



Install one chain at two points on the same side of the Fly Swatter using 1.5 ton shackles, remove additional slack using the ratcheting type chain binder, repeat for other side. Shackle pins must be wired so that pin is unable to turn out.

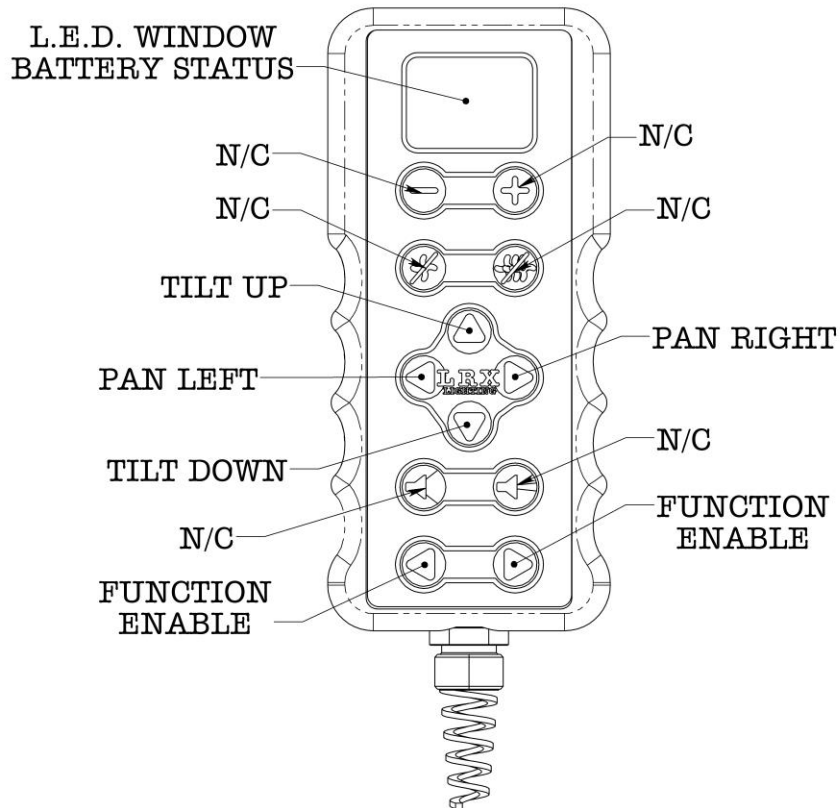
- Minimum parts required:
- Qty four - 1.5 ton shackles
- Qty two - 10 foot x 3/8" grade 80 chain
- Qty two - 3/8" ratcheting type load binder

UNLESS OTHERWISE SPECIFIED:	NAME	DATE
CONSTRUCTION - SEE DRAWING	D.D.	26/02/2013
DESIGNER	D.D.	26/02/2013
CHECKED	D.D.	26/02/2013
FILE LAST MODIFIED	D.D.	27/03/2014
REVISIONS		
D.O.W. OF DRAWING DRAWING REVISIONS		
M is not a standard		
PROJECT: LRX Fly Swatter		
PART NAME		SHEET 1 OF 8
Fly Swatter Complete		
Qty: 0		
Finish: As noted		
Material: 1.5 ton shackles		
Finish: As noted		

REVISIONS: 1.1 11/11/2014
 1.2 11/11/2014
 1.3 11/11/2014
 1.4 11/11/2014
 1.5 11/11/2014
 1.6 11/11/2014
 1.7 11/11/2014
 1.8 11/11/2014
 1.9 11/11/2014
 2.0 11/11/2014
 2.1 11/11/2014
 2.2 11/11/2014
 2.3 11/11/2014
 2.4 11/11/2014
 2.5 11/11/2014
 2.6 11/11/2014
 2.7 11/11/2014
 2.8 11/11/2014
 2.9 11/11/2014
 3.0 11/11/2014
 3.1 11/11/2014
 3.2 11/11/2014
 3.3 11/11/2014
 3.4 11/11/2014
 3.5 11/11/2014
 3.6 11/11/2014
 3.7 11/11/2014
 3.8 11/11/2014
 3.9 11/11/2014
 4.0 11/11/2014
 4.1 11/11/2014
 4.2 11/11/2014
 4.3 11/11/2014
 4.4 11/11/2014
 4.5 11/11/2014
 4.6 11/11/2014
 4.7 11/11/2014
 4.8 11/11/2014
 4.9 11/11/2014
 5.0 11/11/2014
 5.1 11/11/2014
 5.2 11/11/2014
 5.3 11/11/2014
 5.4 11/11/2014
 5.5 11/11/2014
 5.6 11/11/2014
 5.7 11/11/2014
 5.8 11/11/2014
 5.9 11/11/2014
 6.0 11/11/2014
 6.1 11/11/2014
 6.2 11/11/2014
 6.3 11/11/2014
 6.4 11/11/2014
 6.5 11/11/2014
 6.6 11/11/2014
 6.7 11/11/2014
 6.8 11/11/2014
 6.9 11/11/2014
 7.0 11/11/2014
 7.1 11/11/2014
 7.2 11/11/2014
 7.3 11/11/2014
 7.4 11/11/2014
 7.5 11/11/2014
 7.6 11/11/2014
 7.7 11/11/2014
 7.8 11/11/2014
 7.9 11/11/2014
 8.0 11/11/2014
 8.1 11/11/2014
 8.2 11/11/2014
 8.3 11/11/2014
 8.4 11/11/2014
 8.5 11/11/2014
 8.6 11/11/2014
 8.7 11/11/2014
 8.8 11/11/2014
 8.9 11/11/2014
 9.0 11/11/2014
 9.1 11/11/2014
 9.2 11/11/2014
 9.3 11/11/2014
 9.4 11/11/2014
 9.5 11/11/2014
 9.6 11/11/2014
 9.7 11/11/2014
 9.8 11/11/2014
 9.9 11/11/2014
 10.0 11/11/2014

LRX™ FLY SWATTER

HAND CONTROLLER:



OPERATING INSTRUCTIONS

This unit may use 220V AC if required, or in the event that the batteries are drained.

In order to save power, the unit will switch off all accessories when not in operation:

NOTE:

The hand control display will remain blank until a key is pressed. Once a key has been pressed, the unit will be ready to operate in about 1-2 seconds. Use either of the two lower function enable keys to unlock the Fly Swatter, then pan and tilt as required.

Check on line for the latest updates at www.lrx-lighting.com
SPECIFICATIONS SUBJECT TO CHANGE WITHOUT NOTICE

LRX™ FLY SWATTER

9

If the unit is not operated for about 30 seconds, the inverter will shut down, press a key to resume.

If the unit is not used for about 50 seconds, the display will blank and the unit will go to sleep, to conserve power.

Settings for battery operation:

Located inside the cover are 2 switches, set to "BATTERY" and "ON"

For AC

Set to "AC" and "ON"

Please place this unit on charge – (U-Ground plug located under the front cover) when not in uses for several days. NORMAL 110V AC non dimmed line.

9