

LRX™ FLY SWATTER ROTATOR

1

The LRX FLY SWATTER ROTATOR is intended to be used as an attachment for telescopic fork lifts. This unit provides two axes of rotation; Pan (left / right) and Tilt (up / down). This unit may be operated using the onboard power supply or from an external power source.

A light weight user designed and supplied truss structure mounts onto the horizontal output shaft flanges. These flanges are designed to mate with sixteen inch box truss trusses with end flanges that have a four bolt mounting pattern with a bolt circle between 14.62" to 16.22" and a bolt diameter of 0.75".

The user constructed assembly provides mounting for a variety of fabric or lighting options.



See notes for use, limitations and installation to telehandler



Check for the latest manual updates at www.lrx-lighting.com
SPECIFICATIONS SUBJECT TO CHANGE WITHOUT NOTICE

1

LRX™ FLY SWATTER ROTATOR

2



WARNING

READ EQUIPMENT MANUFACTURERS
MANUAL BEFORE USING THIS PRODUCT

SAFETY INSTRUCTIONS

- Fly Swatter weight: 1400 pounds approx.
- Fly Swatter maximum load capacity evenly distributed:
 - 12' x 12' = 500 lbs. of truss structure + (5.8psf) 835 lbs. of wind loading (47MPH / 75KPH)
 - 20' x 20' = 500 lbs. of truss structure + (1.25psf) 500 lbs. of wind loading (22MPH / 35KPH)
 - 30' x 20' = 500 lbs. of truss structure + (.558psf) 335 lbs. of wind loading (14.8MPH / 24KPH)
 - 30' x 30' = 500 lbs. of truss structure + (.372psf) 335 lbs. of wind loading (12MPH / 19KPH) (See attached graph for reference).
- Wind load formulas:
 - $PSF = MPH^2 \times .00256$
 - $P (Pa) = KPH^2 \times 0.317$
- 1 MPH = 1.61 KPH
- The user must be authorized, qualified and certified in jurisdiction of use.
- It is the user's responsibility and obligation to determine and comply with all applicable laws and regulations.
- Truss structure by others; to be designed and approved to safely carry anticipated loads.
- Fly Swatter, truss structure & wind loading calculations are the responsibility of the user
- Ensure telehandler is capable of supporting the total load: Fly swatter, truss structure and the wind load being applied.

Check for the latest manual updates at www.lrx-lighting.com
SPECIFICATIONS SUBJECT TO CHANGE WITHOUT NOTICE

2

LRX™ FLY SWATTER ROTATOR

3

- Telehandler side loading: Maximum 3% of capacity chart or less if limited by the telehandler OEM's specs and instructions.
- Follow all telehandler manufactures guide lines and operating procedures.
- It is the user's responsibility and obligation to determine and comply with all applicable laws and regulations.
- Operator must remain at, and monitor the unit during use.
- Load limits not to be exceeded.
- It is recommended to develop a truss recovery procedure with the telehandler to set a position with minimum sail area. To be used in case of inclement weather or sudden gusts of wind to prevent excessive uplifting/downward force or full sail area side loading scenarios.
- It is recommended that a means to partially release the fabric be used to relieve wind pressure on the structure in the event of unexpected wind gusts.
- Take note of and remain clear of pinch points.
- No personal within range of motion of the assembly during operation.
- Servicing of this unit to be carried out by only authorized and qualified personnel.
- Do not operate if unit appears damaged. Report damage immediately.
- Ensure all AC power is removed and the unit is turned off before making electrical and data connections.
- In case of malfunction disconnect power supplies, set all switches to off, discontinue use, notify supplier.
- Prior to operation a daily inspection and log are required.
- Area under load must be cordoned off at all times and kept clear of all personnel.
- Never remove any covers; there are no user serviceable parts.
- Never operate with any covers removed.
- Safe electrical and working practices must be observed.
- No user serviceable parts.
- Unsure about anything or if you have questions, stop and contact LRX LLC service representative before use.
- For the latest version of this manual please visit "lrx-lighting.com"

3

LRX™ FLY SWATTER ROTATOR



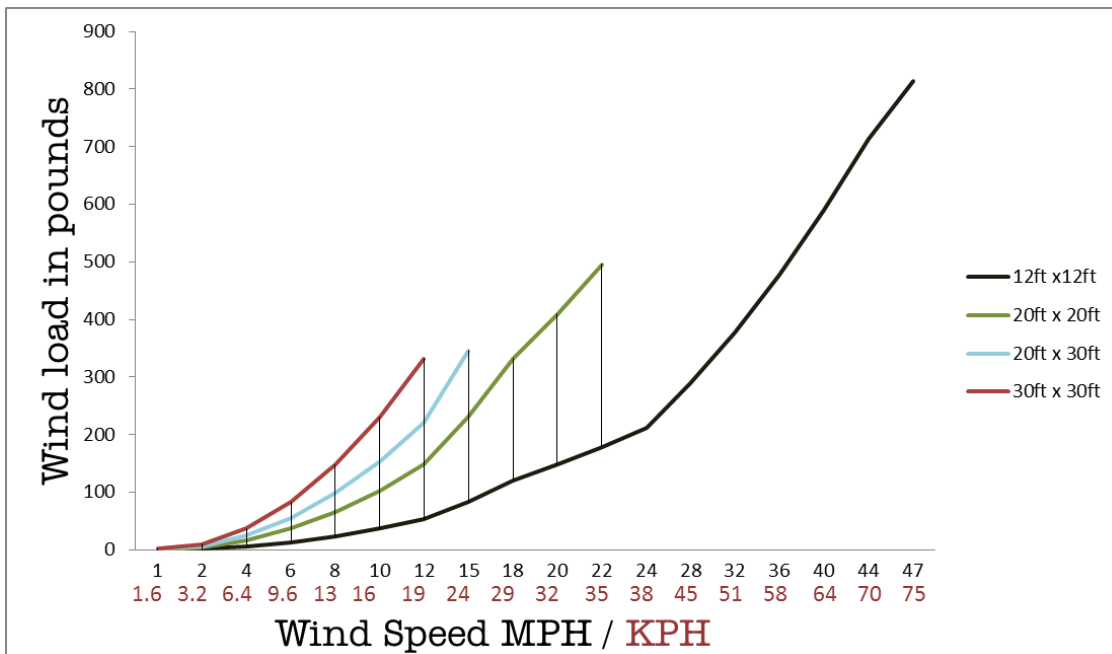
DANGER

- Dangerous voltages are present inside this unit.
- Best practice electrical procedures must be followed when using this fixture.
- Ensure all power supplies are off when connecting or disconnecting any cabling.
- Power must be removed & switches returned to off position when not in use and when data signal is removed.
- Ensure unit meets all local codes prior to operation.



WARNING

- This unit has rotating parts with pinch points.
- Unit may move without warning.
- No personal are permitted within the range of motion
- Never operate with any covers missing.



Check for the latest manual updates at www.lrx-lighting.com
 SPECIFICATIONS SUBJECT TO CHANGE WITHOUT NOTICE

LRX™ FLY SWATTER ROTATOR

<p>Fly Swatter Rotator Specifications</p>

Electrical rating:

Battery:

- Internal gel-cells (48VDC)
- Battery charger requires 120 VAC @ 2 amps

Camlock connector:

- Volts: 208 - 240 AC – non-dimmed feed line.
- Hertz: 50 - 60
- Maximum draw : 20.0 Amps

Physical:

- Tilt: continuous (only limited by attached structure)
- Pan: continuous (only limited by attached structure)
- Weight: 1400 pounds approximate.
- Dimensions: 48" x 33.61" x 56.42"
- Fly Swatter maximum load:
 - 12' x 12' = 500 lbs. of truss structure + 835 lbs. of wind loading (47MPH / 75KPH)
 - 20' x 20' = 500 lbs. of truss structure + 500 lbs. of wind loading (22MPH / 35KPH)
 - 30' x 20' = 500 lbs. of truss structure + 335 lbs. of wind loading (14.8MPH / 24KPH)
 - 30' x 30' = 500 lbs. of truss structure + 335 lbs. of wind loading (12MPH / 19KPH)
- **Wind load formulas:**
 - $PSF = MPH^2 \times .00256$
 - $P (Pa) = KPH^2 \times 0.317$
 - 1 MPH = 1.61 KPH

LRX™ FLY SWATTER ROTATOR

6

Installation of Fly Swatter Rotator to Telehandler

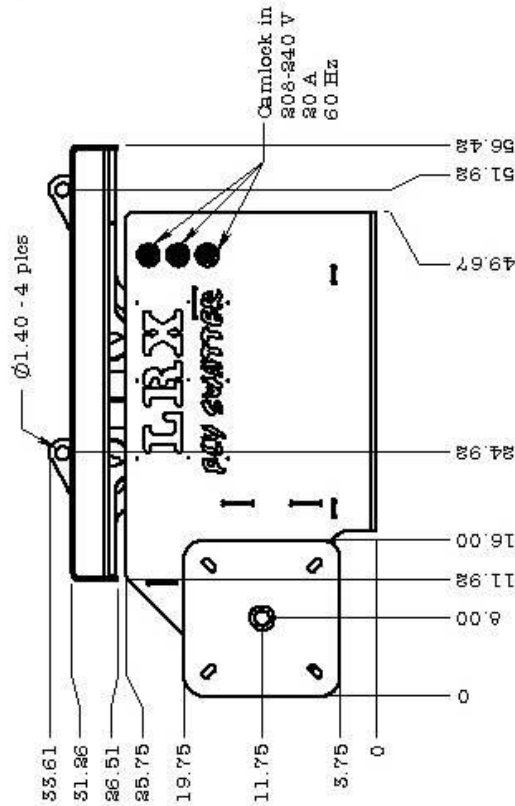
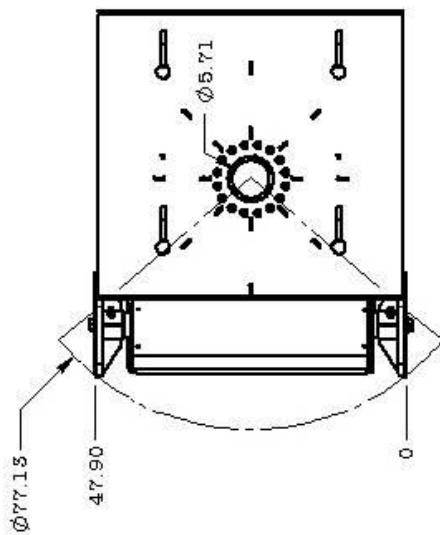
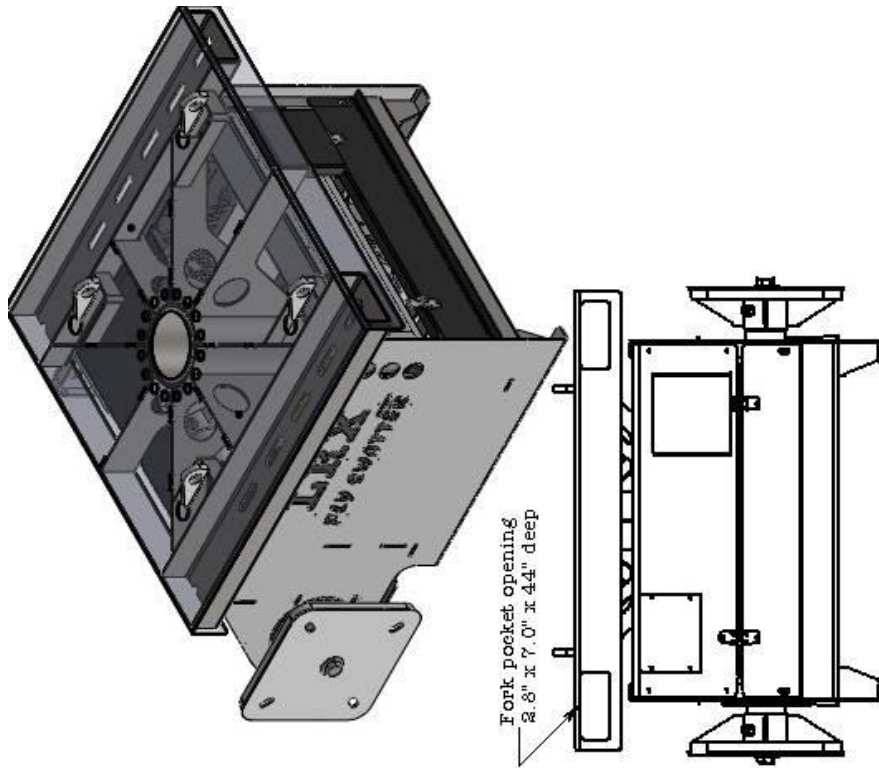
- Ensure forks are fully inserted
 - Install using two independent 3/8" grade 80 chains, ten feet long.
 - Attached one chain at the two anchor points on the same side of the Fly Swatter using 1.5 ton shackles, chain must be routed so that the forks are locked to the fork carriage; remove additional slack and lock into place using the ratcheting type 3/8" chain binder, repeat for other side.
 - Shackle pins must be wired shut so that pin is unable to turn out.
 - See illustration below
-
- Parts required:
 - Qty four - 1.5 ton shackles (7/16")
 - Qty two - 10 foot x 3/8" grade 80 chain
 - Qty two - 3/8" ratcheting type load binder



Check for the latest manual updates at www.lrx-lighting.com
SPECIFICATIONS SUBJECT TO CHANGE WITHOUT NOTICE

6

LRX™ FLY SWATTER ROTATOR



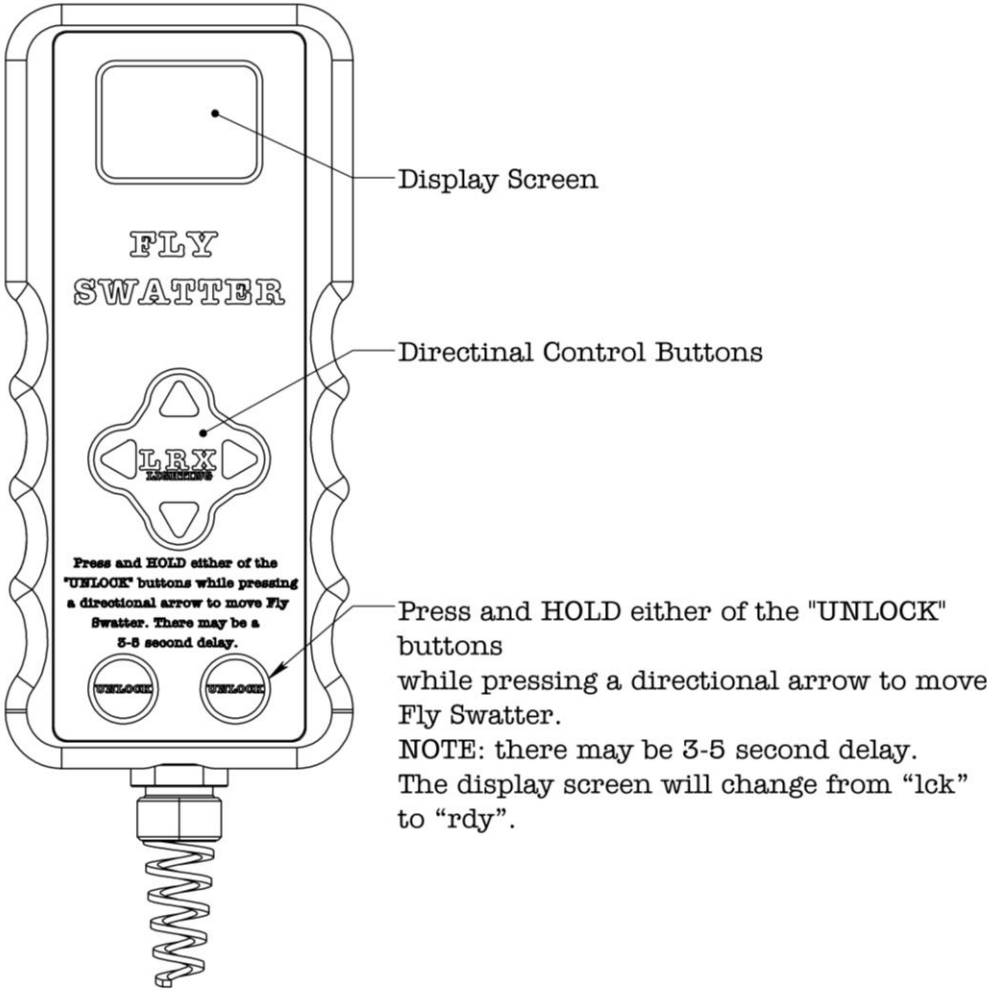
Install one chain at two points on the same side of the Fly Swatter using 1.5 ton shackles, remove additional slack using the ratcheting type chain binder, repeat for other side. Shackle pins must be wired so that pin is unable to turn out.
 Minimum parts required:
 Qty four - 1.5 ton shackles
 Qty two - 10 foot x 3/8" grade 80 chain
 Qty two - 3/8" ratcheting type load binder

UNLESS OTHERWISE SPECIFIED:	UNLESS OTHERWISE SPECIFIED:	NAME	DATE
CONSTRUCTION - SEE NOTES	DRAWING	D.D.	2/20/2013
SCALE - AS SHOWN	DATE		
REVISIONS	REV	DATE	DESCRIPTION
FILE LAST MODIFIED D.D. 8/7/2014			
JOB OR DRAWING NUMBER			
Revision: As noted			
PROJECT: LRX Fly Swatter			
PART NAME SHEET 1 OF 8			
Fly Swatter Complete			
Qty: 0			
Finish: As noted			
Weight: 1355 lbs			
Material: Steel			

REVISIONS ARE INDICATED BY CIRCLED NUMBERS IN THE RIGHT MARGIN OF THIS DRAWING. ANY CHANGES TO THIS DRAWING MUST BE MADE BY A REVISED DRAWING. THE ORIGINAL DRAWING SHALL REMAIN UNCHANGED FOR RECORDING PURPOSES.
 FILES: LRX 2013 - LRF Project - Customer Fly Swatter Fly Swatter Complete
 2013-08-07 11:11 AM

LRX™ FLY SWATTER ROTATOR

HAND CONTROLLER



LRX™ FLY SWATTER ROTATOR

9

OPERATING INSTRUCTIONS

Power Sources:

- Internal 48 VDC power supply (Battery + inverter)
- This unit may use 208/220VAC if required, or in the event that the batteries become drained.

Switch Selection: (under right hand side flap)

- EXTERNAL CAMLOCK: 220V AC: [Set switches to “CAMLOCK” & “ON”]
- ON BOARD BATTERY PACK: [Set switches to “BATTERY” & “ON”]
 - Note: In order to save power, the unit will switch off all accessories when not in operation.
 - The hand controller indicates the battery status, the first operation post sleep / at initial power up may take several seconds.

Safety Interlock:

- The functions enable keys (bottom of the hand control) (◀) or (▶) need to be held to enable motion.
- *If any other key is pressed without “FUNCTION ENABLE” the display will show “lck” (Locked).*

Initiate Motion:

- Hold either of the “FUNCTION ENABLE” keys, the display changes to “rdy” (ready).
- Press the desired direction key (◀ ▶ ▼ ▲) while still holding a “FUNCTION ENABLE” key – [post sleep / first power up will take several seconds to respond].

Sleep modes (when idle):

- 30 seconds to inverter shutdown
- 50 seconds to hand control sleep mode (blank display), press “FUNCTION ENABLE” to wake the fixture.

Emergency battery disconnect:

Located under the middle cover plate is a large red plug which may be disconnected.

Battery Charger:

- It is advisable to charge the unit when not in use. (U-Ground plug located under the center flap) when not in uses for several days. Charger requires 110/120V AC non dimmed line.

Check for the latest manual updates at www.lrx-lighting.com
SPECIFICATIONS SUBJECT TO CHANGE WITHOUT NOTICE

9