

# LRX

MOTION PICTURE LIGHTING

Read and understand LRX Raptor Manual before proceeding with daily checklist and/or operation of any LRX fixture. Manual available in fixture transport case or online at [www.lrx-lighting.com](http://www.lrx-lighting.com).

## LRX RAPTOR DAILY CHECKLIST

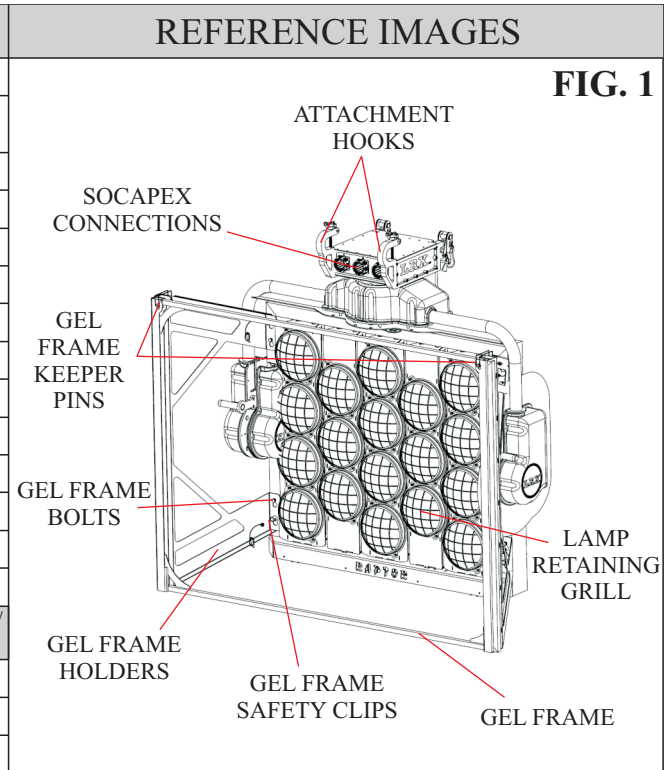
CUSTOMER: \_\_\_\_\_

DATE: \_\_\_\_\_

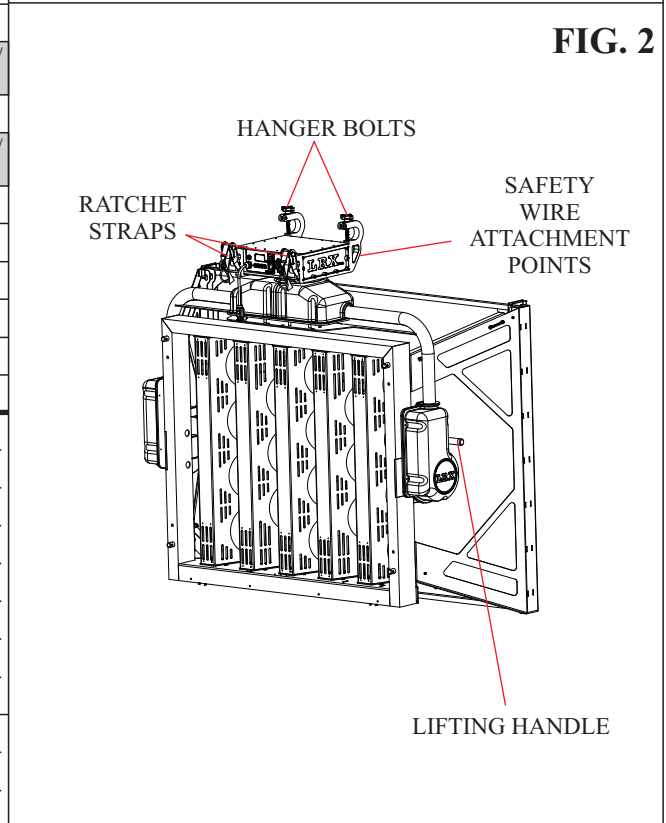
LOCATION: \_\_\_\_\_

FIXTURE SERIAL #: \_\_\_\_\_

#	HEAD STRUCTURAL INSPECTION	GOOD / FAIL
1.	Inspect fixture attachment hooks and head structure for damage, cracks or loose bolts.	
2.	Inspect ratchet straps. There must be a minimum of two wraps around each ratchet drum. Ensure the straps capture truss and strap clips are correctly placed and latched.	
3.	Ensure hanger keeper bolts are installed completely.	
4.	Inspect overall condition of fixture / structure.	
5.	Ensure all covers are installed and in good condition.	
6.	Inspect all lamps, retaining grills and mounting hardware.	
7.	Inspect lamp sockets, contacts and wires.	
8.	Inspect gel frame receivers.	
9.	Inspect gel frame holders and mounting hardware.	
10.	Inspect Socapex cable input connectors and contacts.	
11.	Inspect data connectors and contacts.	
12.	Inspect condition of U ground plug, wire and strain relief.	
13.	Provide safety cables where required for accessories.	
14.	Ensure no components have been modified outside of manufactures specifications.	



#	TRUSS CONNECTION POINT	GOOD / FAIL
15.	Inspect truss for damage, cracks, dents, distortion.	
16.	Inspect truss mounting plates for damage, cracks and distortion.	
17.	Inspect all fasteners and hardware for damage and ensure all fasteners are secure.	
18.	Inspect truss supporting structure and capacity.	



#	CABLES	GOOD / FAIL
19.	Inspect data cable, connectors and contacts for damage.	

#	POWER UP CHECKS	GOOD / FAIL
20.	Ensure all power and data cables are correctly connected to fixture.	
21.	Ensure proper electrical power is supplied.	
22.	Ensure all power and data cables have a secure strain relief.	
23.	Ensure hanger LED display and keypad operating properly.	
24.	Inspect hand controller for damage and proper function.	
25.	Test tilt, pan and flood / spot function.	

Notes: \_\_\_\_\_  
 \_\_\_\_\_  
 \_\_\_\_\_  
 \_\_\_\_\_  
 \_\_\_\_\_  
 \_\_\_\_\_  
 \_\_\_\_\_  
 \_\_\_\_\_

USE BACK OF SHEET IF MORE NOTES ARE REQUIRED

Confirm the combined weight of all accessories are within the allowable weight restrictions of the aerial lifting device or supporting structure.

INSPECTED BY: \_\_\_\_\_ SIGNATURE: \_\_\_\_\_

IF THE FIXTURE FAILS ANY PART OF THIS INSPECTION, REMOVE POWER, LOCK OUT AND REPORT TO YOUR SUPERVISOR IMMEDIATELY. DO NOT ATTEMPT TO MAKE REPAIRS, ALL REPAIRS TO LRX LIGHTING FIXTURES ARE TO BE PERFORMED BY AN LRX AUTHORIZED DEALER ONLY.