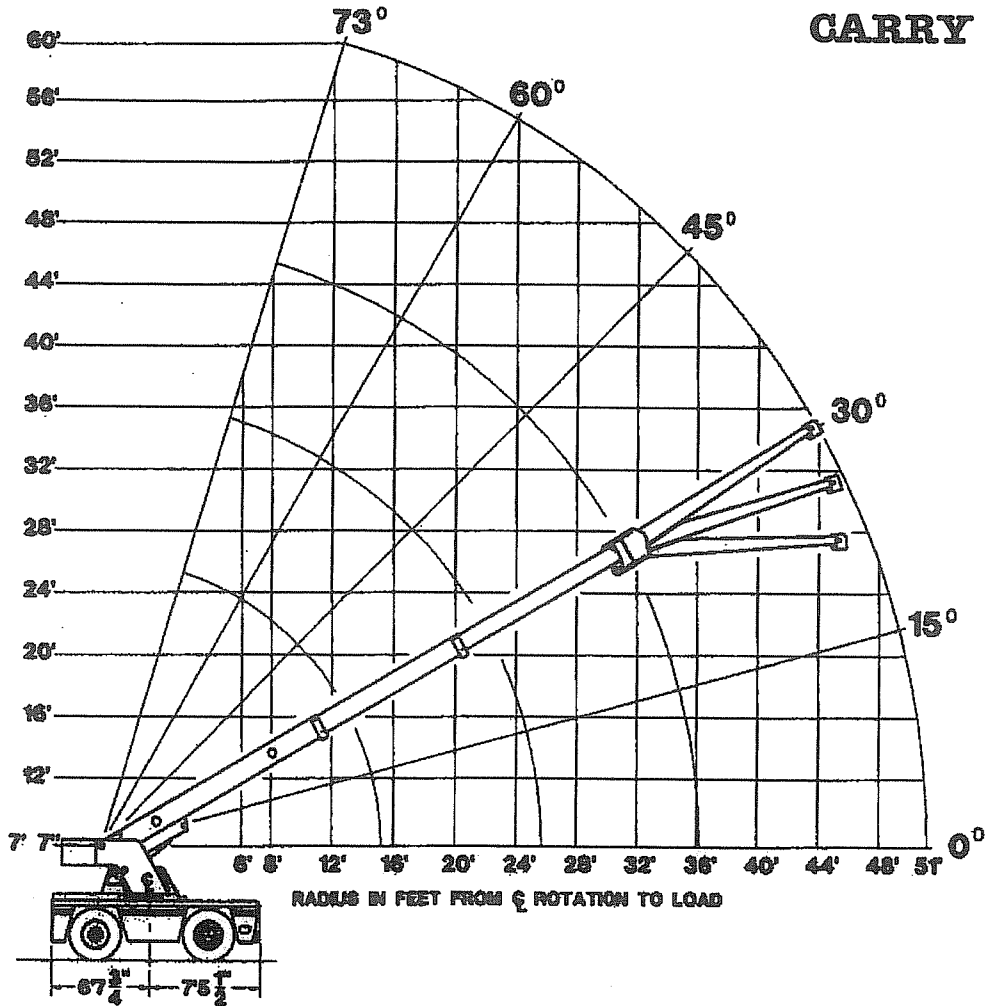




**DWIGHT
CRANE**
418-287-3107

15 TON BRODERSON CARRY DECK



ALL CAPACITIES FOR 360 deg. ROTATION

LOAD RADIUS FEET	BOOM RETRACTED ON OUTRIGGERS	BOOMS EXTENDED		15' BOOM EXTENSION INSTALLED	
		ON RUBBER	ON OUTRIGGERS	ON RUBBER	ON OUTRIGGERS
6	30,000	16000	30000	7500	7500
8	25000	13000	23900	7500	7500
10	19500	11000	20000	7100	7100
12	16000	9300	16000	6150	6150
14	13500	6600	12500	5425	5425
16		5050	9500	4850	4850
19		3700	7900	4175	4175
22		3125	7050	3600	3675
25		2225	6100	3000	3275
28		1825	5100	2300	3000
32		1400	4080	1700	2950
36		3315	3315	1250	2900
40				850	2700
45				500	2350
50				300	2000

15 FOOT OFFSET BOOM EXTENSION CAPACITIES							
BOOM EXTENSION OFFSET ANGLE	MAIN BOOM ANGLE						
	0°	15°	30°	40°	50°	60°	70°
0°	0	3100	3450	3900	4650	6000	7500
15°	0	3000	3100	3300	3650	4250	5200
30°	0	0	3000	3050	3200	3450	3900

For reference only - refer charts posted in crane before lifting

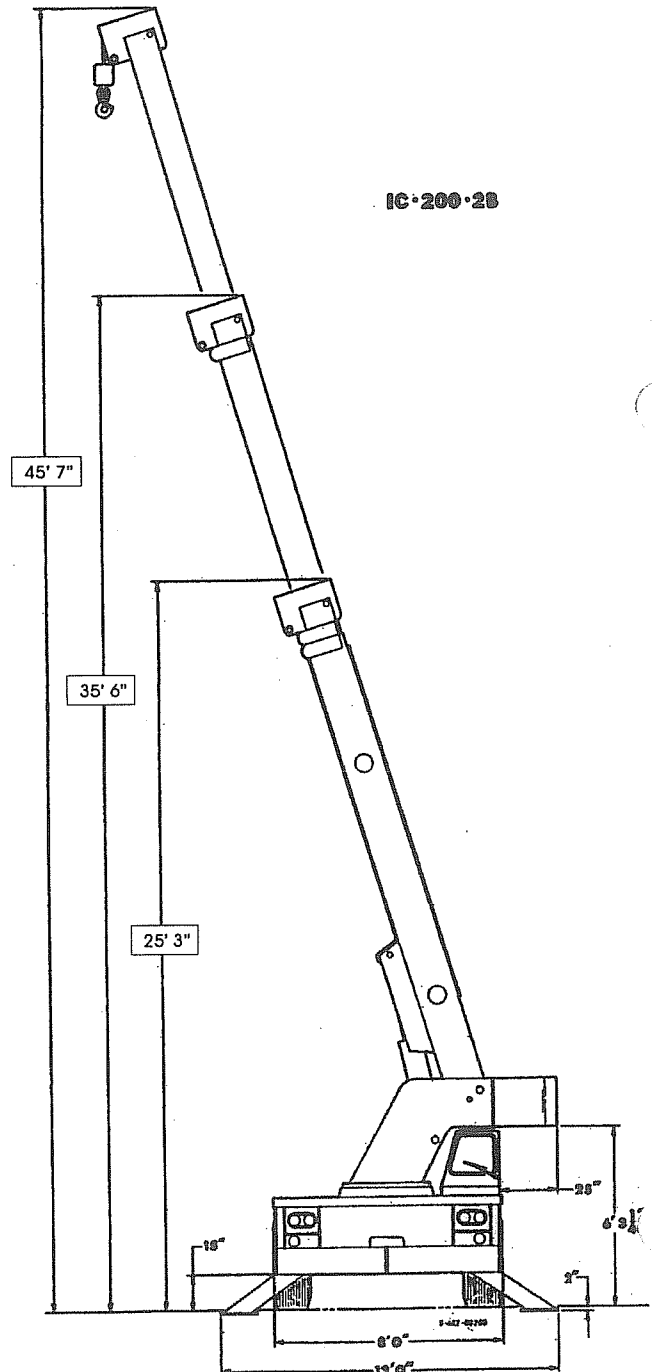
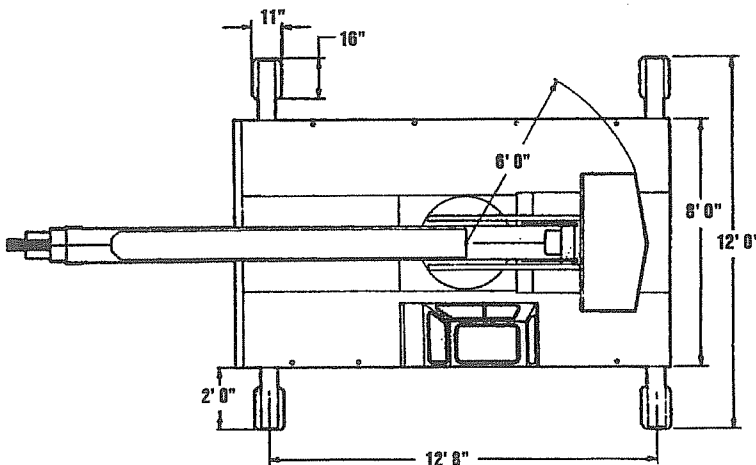
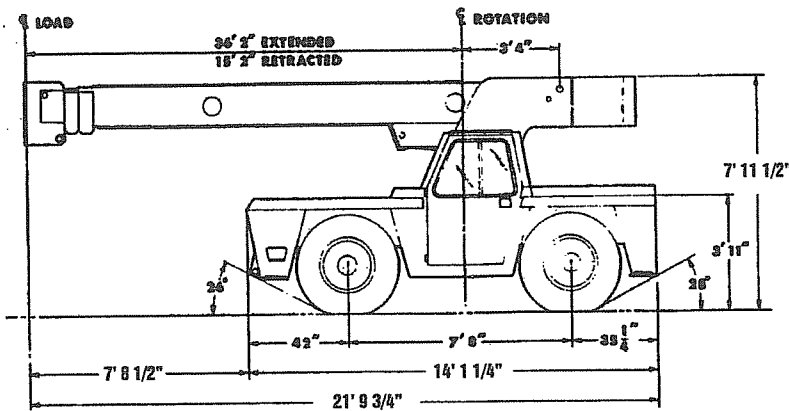
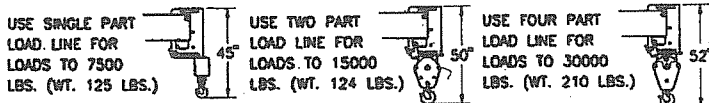


DWIGHT CRANE

416-287-3107

15 TON BRODERSON CARRY DECK

GENERAL SPECIFICATIONS		
WEIGHT:		26250 lbs.
ROAD SPEED:		16 MPH
TURNING RADIUS:		13' 5"
BOOM ROTATION:		CONTINUOUS
DRAW PULL:		20,400 lbs.
HEIGHT:		8'
WIDTH:		8'



For reference only - refer charts posted in crane before lifting