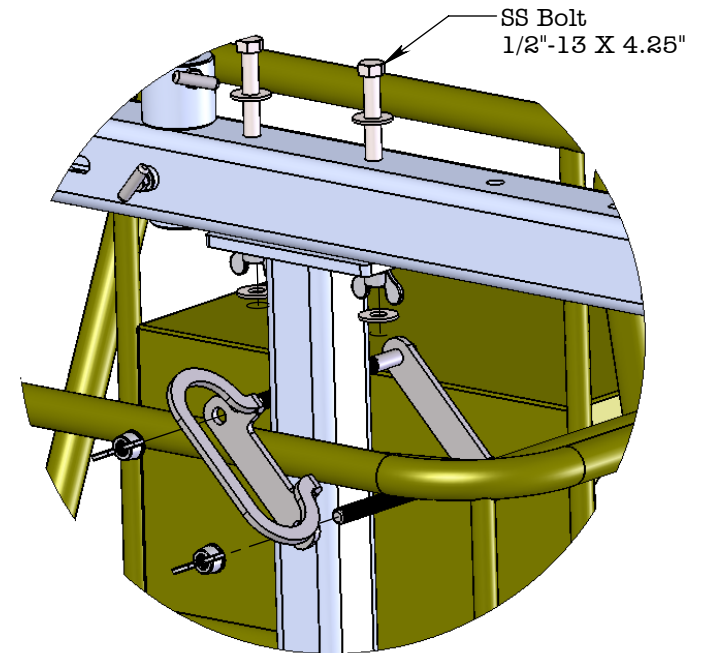


DETAIL A
SCALE 1 : 6

SS Bolt
1/2"-13 X 6.5"



DETAIL B
SCALE 1 : 6

SS Bolt
1/2"-13 X 4.25"

Notes:

- Condor mount uprights and lower plates must capture a minimum of two structural floor members
- Uprights should be placed at maximum width available
- Condor mount weight: 85 pounds
- Maximum total load applied to lighting bar: 415 pounds evenly distributed
- Maximum load applied to any one of the three center spigots: 180 pounds
- Maximum load applied to the outer spigots: 100 pounds

UNLESS OTHERWISE SPECIFIED:		NAME	DATE	LRX LIGHTING LLC
DIMENSIONS - IN INCHES	DRAWN	D.D.	13/07/2006	
TOLERANCES	CHECKED			PROJECT: Condor Mount 2014
TWO DECIMAL = ± .010"	FILE LAST MODIFIED	D.D.	21/05/2014	
THREE DECIMAL = ± .005"	DO NOT SCALE DRAWING	REVISION#		PART NAME SHEET 1 OF 12 JLG 60 with condor mount
WELDED PARTS = ± .060"	QTY: One			

PROPRIETARY AND CONFIDENTIAL
THE INFORMATION CONTAINED IN THIS DRAWING IS THE SOLE PROPERTY OF LRX LIGHTING LLC. ANY REPRODUCTION IN PART OR AS A WHOLE WITHOUT THE WRITTEN PERMISSION OF LRX LIGHTING LLC IS PROHIBITED.

File:S:\David\2- Drawings\Shop\Man lifts\Condor Mounts\Condor Mount 2014\JLG 60 with condor mount

Watercut file path: